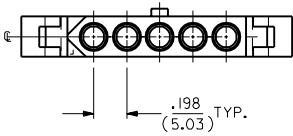
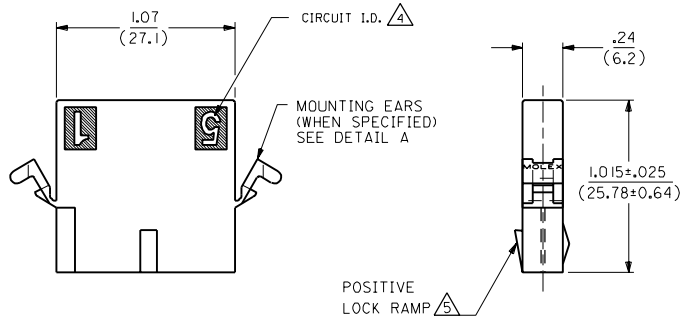
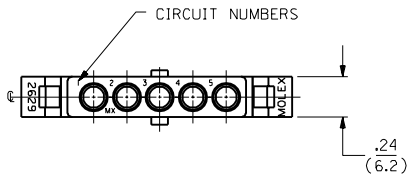
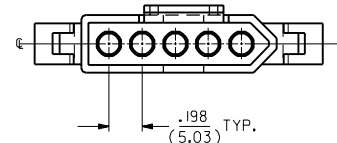
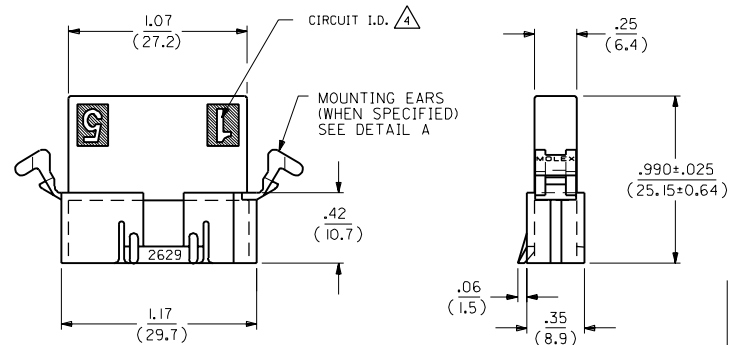
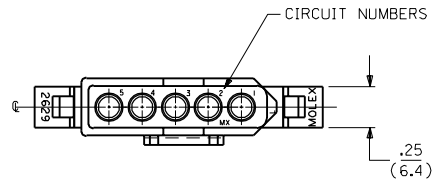


# RECEPTACLE



VIEW OF RECEPTACLE VERSION  
WITH PASSIVE LOCK RAMPS

# PLUG



J	REVISED PER ECN # U61508 05/31/96 CM
I	X-REMOVE -R2 ECN # U6 1080 3-6-96 RW
K	ADD PASSIVE LOCKS ECN # U5 0529 11-30-94 RW
J	ADD -P2 W/EDP # ECR U3 0450 GC 4/1/93 RW
I	X-REMOVE ECR U2 1105 GC 1/29/92 RW
HI	ADD -C MAT'L. PER ECR U2 0741 GC 5/7/92 RW
H	REVISE PER ECR U1 2237 GC 1/9/92 RW
G	REVISED & REDRAWN ECR # UB1801 KBW 02-03-89 RW

2	J	
1	J	

UNLESS OTHERWISE SPECIFIED TOLERANCES: ANGULAR ± .005

3 PLACE	± .010	---
2 PLACE	± .014	± 0.25
1 PLACE	---	± 0.35

DRAFT WHERE APPLICABLE MUST REMAIN WITHIN DIMENSIONS

THIS DRAWING CONTAINS INFORMATION THAT IS PROPRIETARY TO MOLEX INC. AND SHOULD NOT BE USED WITHOUT WRITTEN PERMISSION.

MOLEX INCORPORATED  
L15LEJLL 60532 U.S.A.

FILE NAME: S26295X1.DWG  
SCALE: 2:1

TITLE: .093/(2.36) HOUSINGS PLUG & RECEPTACLE 5 CIRCUIT ± .198/(5.03)C

SHEET NO. 1 OF 2 DATE 2/3/89

PART NO. SD-2629-  
SEE CHART DRWG. NO. SD-2629-  
DIV. CP

PLUG		RECEPTACLE	
ORDER NO	ENG NO	ORDER NO	ENG NO
03-09-2057	2629-P1	03-09-1057	2629-R1
PRELIMINARY	2629-P	PRELIMINARY	2629-R
		03-09-1054	2629-R2

LEGEND:

2629-\*\*\*\*-\*

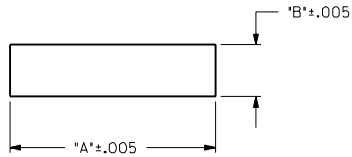
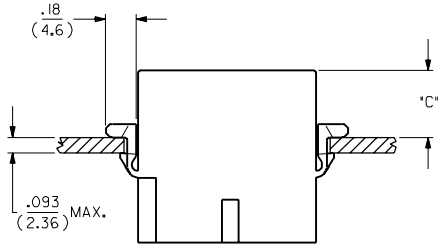
TYPE: \_\_\_\_\_  
P = PLUG  
R = RECEPTACLE

PLUG FEATURES: \_\_\_\_\_  
BLANK = WITH PREBENT EARS  
I = WITHOUT EARS

RECEPTACLE FEATURES: \_\_\_\_\_  
BLANK = WITH PREBENT EARS, WITH POSITIVE LOCK RAMP  
1 = WITHOUT EARS, WITH POSITIVE LOCK RAMP  
2 = WITHOUT EARS, WITH PASSIVE LOCK RAMPS

COLOR: \_\_\_\_\_  
BLANK = NATURAL COLOR  
AM = AMBER BK = BLACK BU = BLUE  
BN = BROWN CY = GRAY GN = GREEN  
OR = ORANGE RD = RED YW = YELLOW

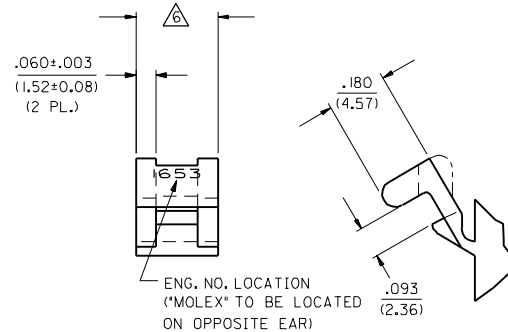
MATERIAL: \_\_\_\_\_  
BLANK = NYLON TYPE 66, 94V-2 PER SMES-128-A-\*



RECOMMENDED PANEL OPENING

HOUSING	DIM. 'A'	DIM. 'B'	'C' PREBENT EAR
PLUG	1.33/(13.78)	.42/(10.67)	.40/(10.1)
RECEPT.	1.23/(31.24)	.31/(7.87)	.42/(10.6)

- NOTES:
- MOLEX PRODUCT SPEC 02-09 APPLIES.
  - 2629-P\* (PLUG) WILL ACCEPT 2629-R\* 5 CIRCUIT RECEPTACLES OR 1490-R\* 4 CIRCUIT RECEPTACLE.
  - ACCEPTS MOLEX .093 SERIES TERMINALS.
  - CIRCUIT I.D. NUMBERS ON HOUSING APPEAR ON PARTS FROM TOOLS BUILT AFTER 1/6/92.
  - LOCK RAMP ON THIS SIDE OF PART AVAILABLE IN EITHER A POSITIVE LOCK RAMP OR PASSIVE LOCK RAMP STYLE.
  - FOR DIMENSION, SEE SHEET I.



DETAIL A

.093/(2.36) PREBENT MOUNTING EAR  
(SCALE 4:1)

	I	SEE SHEET I	DIMENSIONS SHOWN METRIC (INCH)	▽=0 ▼=0	REVISE ONLY ON CAD SYSTEM
	K	SEE SHEET I	UNLESS OTHERWISE SPECIFIED TOLERANCES: ANGULAR ± .04°	TITLE	.093/(2.36) HOUSINGS PLUG & RECEPTACLE
	J	SEE SHEET I	INCH METRIC	FILE NAME	5 CIRCUIT .198/(5.03)C
	I	SEE SHEET I	3 PLACE ± .010 ---	MOLEX INCORPORATED	SHEET NO. 2 DATE 2/3/89
	HI	SEE SHEET I	2 PLACE ± .014 ± 0.25	L15LEJLL. 60532 U.S.A.	PART NO. SEE CHART DRWG. NO. SD-2629-*
	H	SEE SHEET I	1 PLACE --- ± 0.35	DRAFT WHERE APPLICABLE MUST REMAIN WITHIN DIMENSIONS	
	J	SEE SHEET I	DRWG. BY KBW CHKD. BY RW	APP'D. BY RAS SCALE 2:1	
LTR.	REVISIONS	LTR.	REVISIONS		